

## Product Warranty

Warranty card has a user must fill out the form, the product requires warranty service must be presented to the warranty card and proof of purchase as a supporting document.

Please keep your warranty card properly.

Warranty notes are as follows:

1. Warranty period: one year of free maintenance (from the date of purchase)
2. If the product is not used with our high quality smoke oil, the warranty period will be reduced to three months.

Months, if the cost incurred by the replacement parts, the user side to bear!

3. The product is not warranted under the following conditions:

A: The product has been operated incorrectly, negligent use, such as: overload, overpressure and burned;

B: The product has been dropped due to careless handling;

C: The sound quality failure due to poor use of environmental factors, such as: humidity, voltage instability;

D: The product has been modified by non-factory personnel.

4. Excluded from the warranty are: packing boxes, packaging, product shells and hangers, batteries in the remote control transmitter. Batteries in the remote control transmitter.

5. The product meets the terms of the warranty, the factory will never charge maintenance fees and accessory costs, for more than the warranty period of the product, only the corresponding accessories finished products. For the products beyond the warranty period, only the corresponding accessories finished product fee.

6. The company has the right to interpret all the contents of this warranty card, if the user has any uncertainty, please consult with your local dealer. Please consult with your local dealer if you have any questions.

(WARRANTY CARD)

MODEL: \_\_\_\_\_(REQUIRED)

NAME: \_\_\_\_\_(REQUIRED)

DATE OF PURCHASE: \_\_\_\_\_(REQUIRED)

DEALER NAME: \_\_\_\_\_(REQUIRED)

ADDRESS OF DEALER) : \_\_\_\_\_ PROVINCE \_\_\_\_\_ CITY

\_\_\_\_\_ DISTRICT

NOTES: Fill out the warranty card clearly so that we can solve it for you soon! Please send back the machine with warranty card for repairs.

# DMX SPECIAL FAN USER MANUAL

## 1. Introduction

\*Important environmental information about this product

a: This symbol printed on equipment or packaging means that disposal at the end of the machine's useful life will be harmful to the environment.

b: Do not dispose of the machine (or batteries) as unsorted municipal waste; it should be recycled by a specialized company.

c: This equipment should be returned to your dealer or local recycling center.

d: Comply with local environmental rules. If in doubt, contact your local waste department.

e: Thank you for your purchase! If the machine is damaged during transportation, do not use it and contact your dealer.

## 2. Safety Guidelines

a: Great care is required during installation: touching live wires can result in life-threatening electric shock.

b: Do not touch the machine during operation as the heat of the housing is gradually increasing.

c: Keep this equipment away from rain and moisture.

d: Unplug the power cord before opening the case.

e: Damage caused by disregarding the specific guidelines in these instructions is not covered by the warranty, and the dealer will not accept responsibility for any resulting defects or responsibility for any resulting defects or problems.

f: This appliance should be installed and operated by a qualified technician.

g: Do not turn the switch on immediately when the machine is changing temperature, leave the switch on until the machine reaches room temperature to protect the machine from damage.

h: This appliance is classified as Protection Class 1, therefore grounding of the appliance is essential, and circuit connections should be made by qualified personnel.

grounding of the equipment is essential. (Note that the machine must be grounded, otherwise you will be responsible for the consequences)

i: Ensure that the available voltage does not exceed the voltage specification in this manual.

j: Do not coil the power cord to prevent damage. If necessary, have it replaced by an authorized dealer.

k: When cleaning or not in use, do not connect the power supply, focus only on the plug and do not touch the power cord directly. l: Please note that damage caused by user modification is not included in the warranty.

m: Keep the device away from children and unauthorized users.

3. General Guidelines a: This equipment is designed for professional use on stage, in entertainment venues, in theaters, etc.

This equipment should be used indoors and with

This equipment should be used indoors and at 240V AC/60HZ maximum.

b: Do not shake the unit, and avoid strong force during installation or operation.

c: Select a location where the machine is protected from extreme temperatures, dust and humidity.

d: Familiarize yourself with the functions of the machine before actual use and do not allow unqualified persons to operate it. Any possible damage is likely to be caused by unprofessional use of the equipment.

e: If the machine is to be transported, use the original packaging. f: For safety reasons, any modification of the machine is prohibited.

## I. Product Description:

Special effect fan series products, mainly through the circuit main board, axial fan, wireless control system composition. Product main

To work through the system power supply! The product is mainly used in blowing wind, blowing fog and other functions. Equipment has been widely used in Outdoor performances, bars, KTV, TV stations and other high-grade places. Second, the factory notes:

1. Smoke machine maintenance cycle for 1-2 months. Specific maintenance is: 20% white vinegar plus 80% distilled water after heating finished spraying 3-5 times!

2. Smokers should use the company's brand of distilled water formula of the VL series of special water-based mist oil, which This will prolong the life of the hood!

3. Please keep the remote control fittings, if lost, the factory does not provide free fittings!

4. The accessories of the factory does not apply to other brands of cigarette machine, otherwise it may burn other equipment!

**Precautions before use** 1. Flat fan, check the appearance of the machine and the structure of the damage, if there is damage, please immediately and factory

If there is any damage, please contact the factory or distributor immediately, so as to be able to timely after-sales follow-up processing!

2. Before the product work, please screw open the cap of the oil drum bottle, inject our brand VL series special water-based thin mist oil, and then tighten the cap.

Before working, please unscrew the cap of the oil drum and fill in our brand VL series special water-based mist oil, and then tighten the cap after use.

2. Before connecting the power supply, you should carefully check whether the power supply voltage is consistent with the rated voltage of the hood, and the power supply should be connected to the ground wire.

The power supply should be connected to a power source with a ground wire, the power switch should be turned on and the indicator light should be on, and the fog machine should be in a preheating state. Connect different Different control functions can be realized by connecting different controllers.

3. Fog machine for the first time, the smoke may be smaller or spray a small amount of water, is a normal phenomenon.

4. Fog machine must be placed in the open indoor, not into the hole to use, otherwise it will lead to fog machine temperature is too high.

Dissipation of heat is not timely and the equipment is in a temperature-protected state! Thus, the phenomenon of non-heating.

5. Fog machine can be placed flat on the ground, can also be installed vertically in high places, can also be tilted according to the corresponding angle of hanger

Installation. Fog machine up and down should keep at least 30CM should be installed in the children can not touch the place. Keep away from flames and flammable and

Explosive substances. Keep away from the nozzle 40CM to prevent burns.

## II.the product operation and use instructions

Model: CF-1

### 1.Technical Parameters:

Rated voltage: AC220V /50Hz or AC120V/60Hz

Power: 200W

Current limiting insurance: 1A/2A

Warm-up time: no need to warm up

Air volume output: 3300 cubic meters / hour

Control mode: DMX512/remote control/timed quantitative control

Passage: 1CH

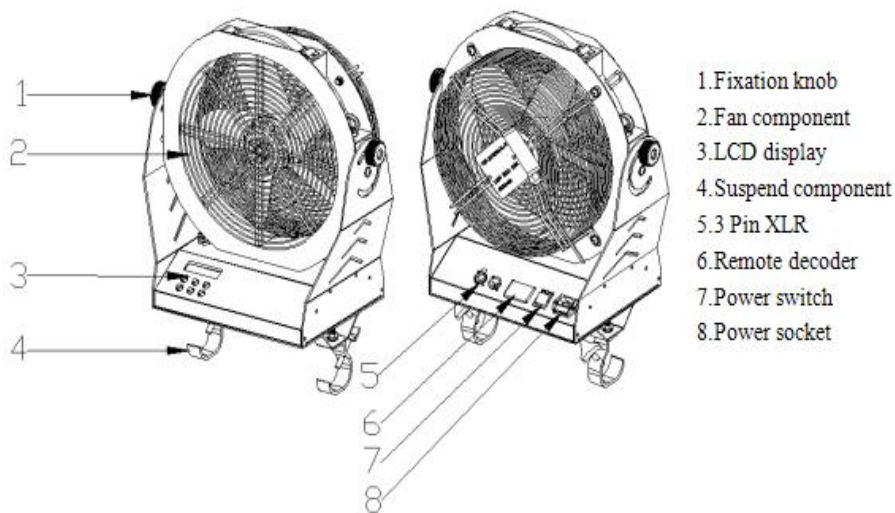
Operation interface: LCD touch display

Air volume: linear adjustment

Weight: 12kg

Package size: 470/310/520mm

### 2. Product structure



### 3. Operating instructions

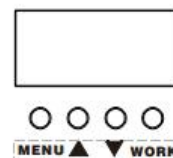
1. When the device is powered on, the display shows "READY" and it is in standby mode! Press the "work" confirmation key in the operation interface to start the work.

2. DMX512 signal connection only allows console control, remote control, manual, timing and quantitative functions can not be used.

3. according to the instructions of the control panel operation, according to the need to set the machine. 5 seconds without operation, will jump back to the note interface, and save the current settings.

4. In the standard mode, the machine's control methods are: DMX / remote control / panel keys

### 4. Operation interface description



**Dmx\_Addr:** set DMX address      **Fan:** set airflow

**Time:** working time of timing and dosing.

**Interval:** interval time of timer quantity.

**Fan\_Rate:** Maximum airflow percentage of fan

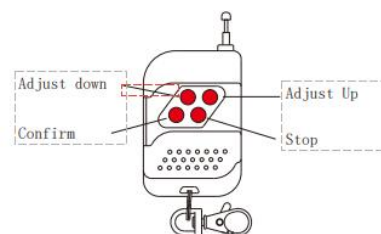
**Au\_Save:** save when power off (during working process, power off suddenly, power on and continue to power on).

**Au\_Save:** save after power failure (sudden power failure during the working process, continue the last working mode after powering up)

Remote: rocker switch      **Version:** Version number

**Lcd\_BI:** Brightness of screen backlight.      **Reset:** Restore factory settings.

### 4. Remote control instructions



After the product is powered on, you can use the remote control only after the word "READY" is displayed.

### 5. DMX control description

Because the machine is 1 channel, so the normal use of the DMX address up to 511

Channel 1: air volume output, 0-10 when the air volume output is 0, 10-255 air volume changes from small to large.

Under normal conditions, as long as the access to the DMX signal, the machine will automatically enter the DMX address setting state, at this time, press the increase, decrease key can be adjusted DMX address value.

